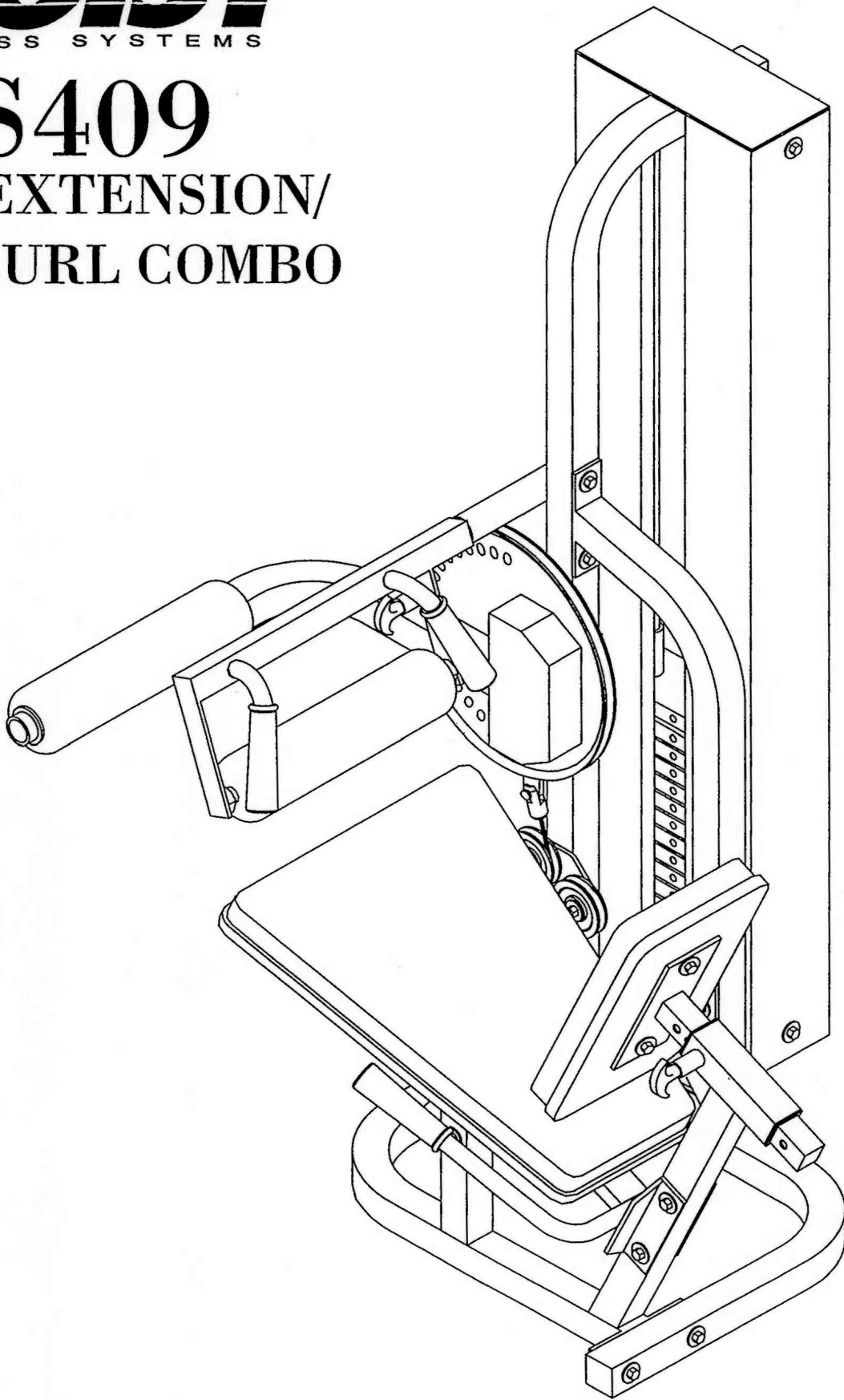


HOIST[®]
FITNESS SYSTEMS

S409

**LEG EXTENSION/
LEG CURL COMBO**

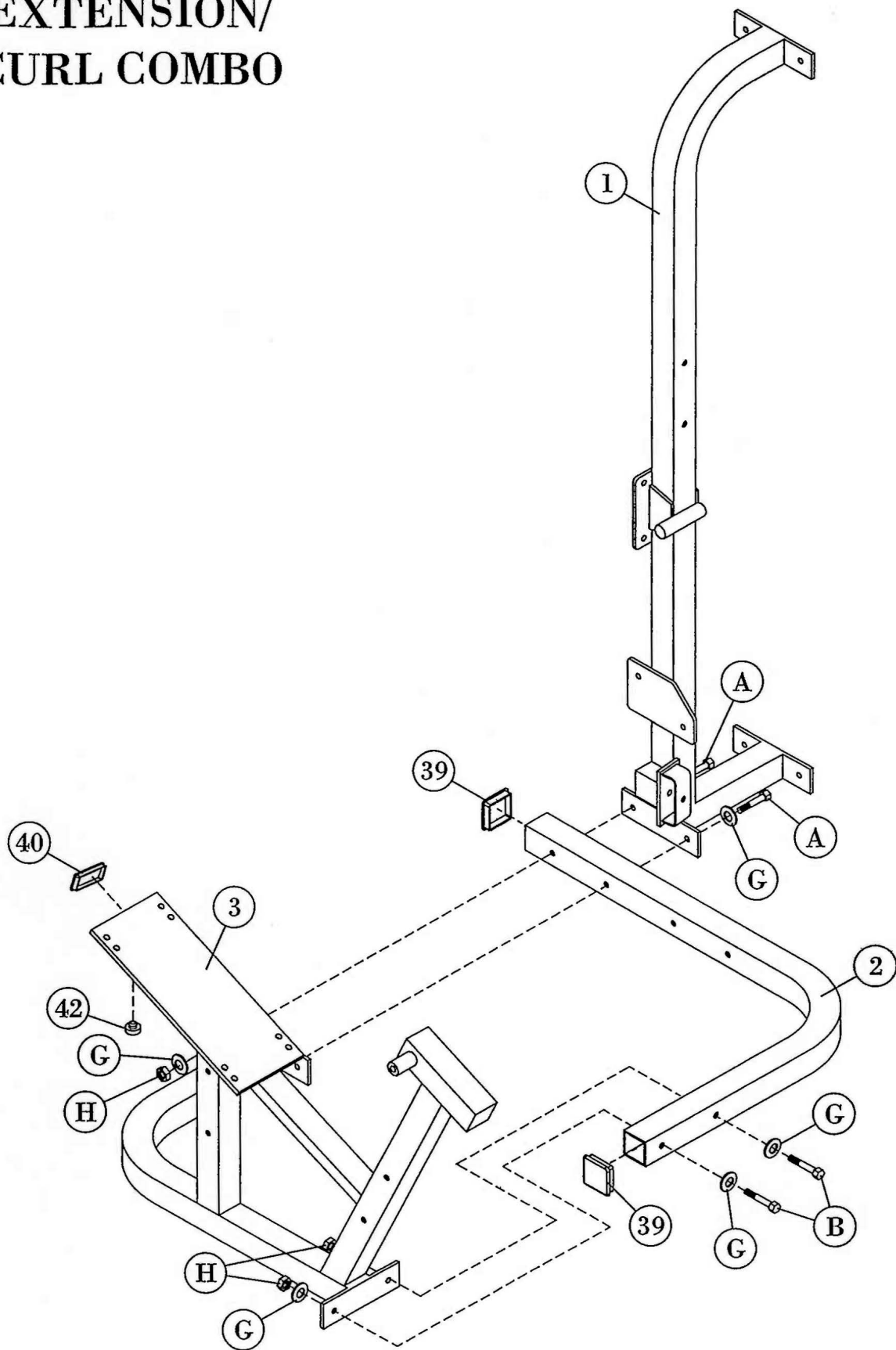


CUSTOMER CATALOG

October '95

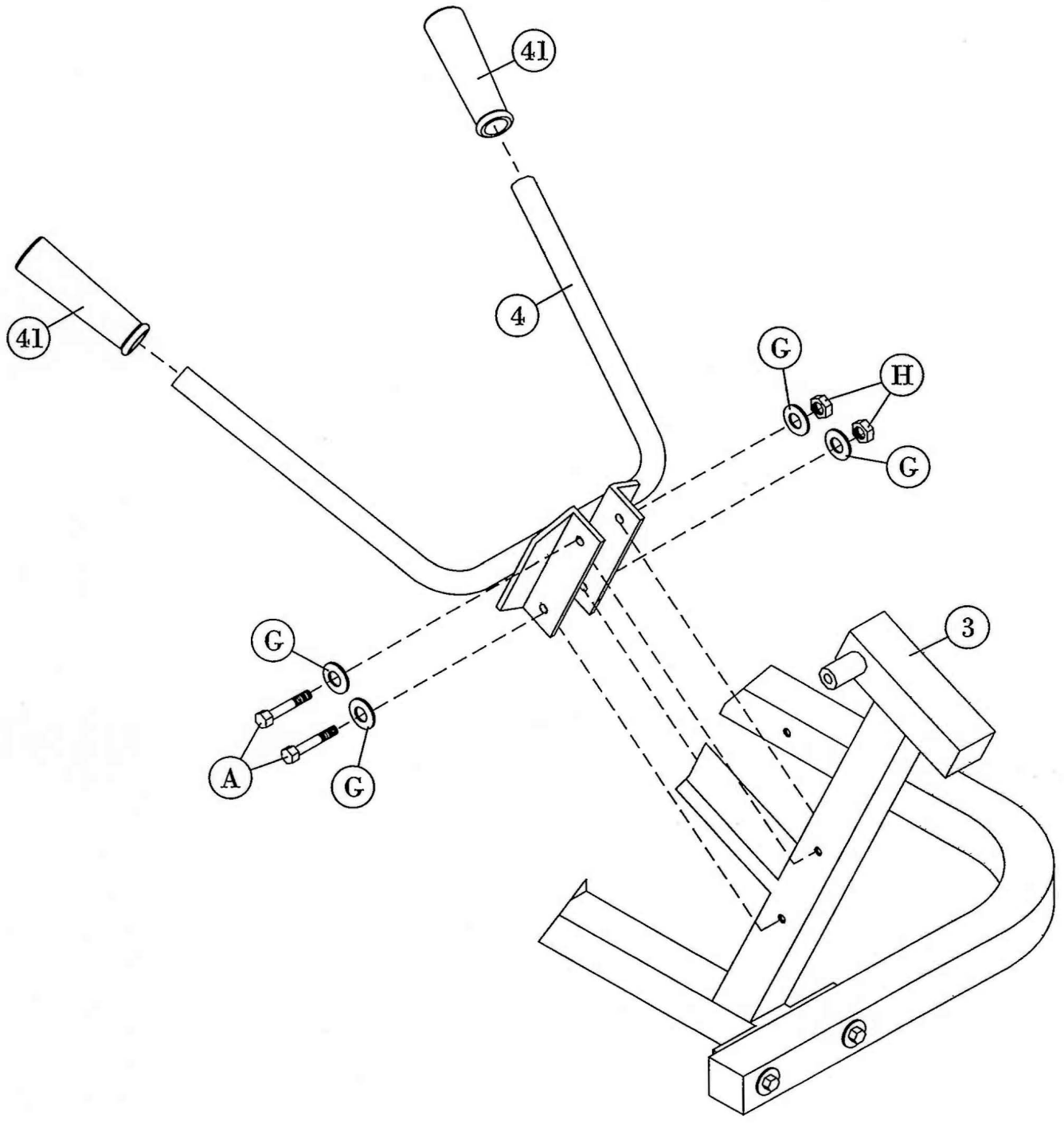
S409

LEG EXTENSION/ LEG CURL COMBO



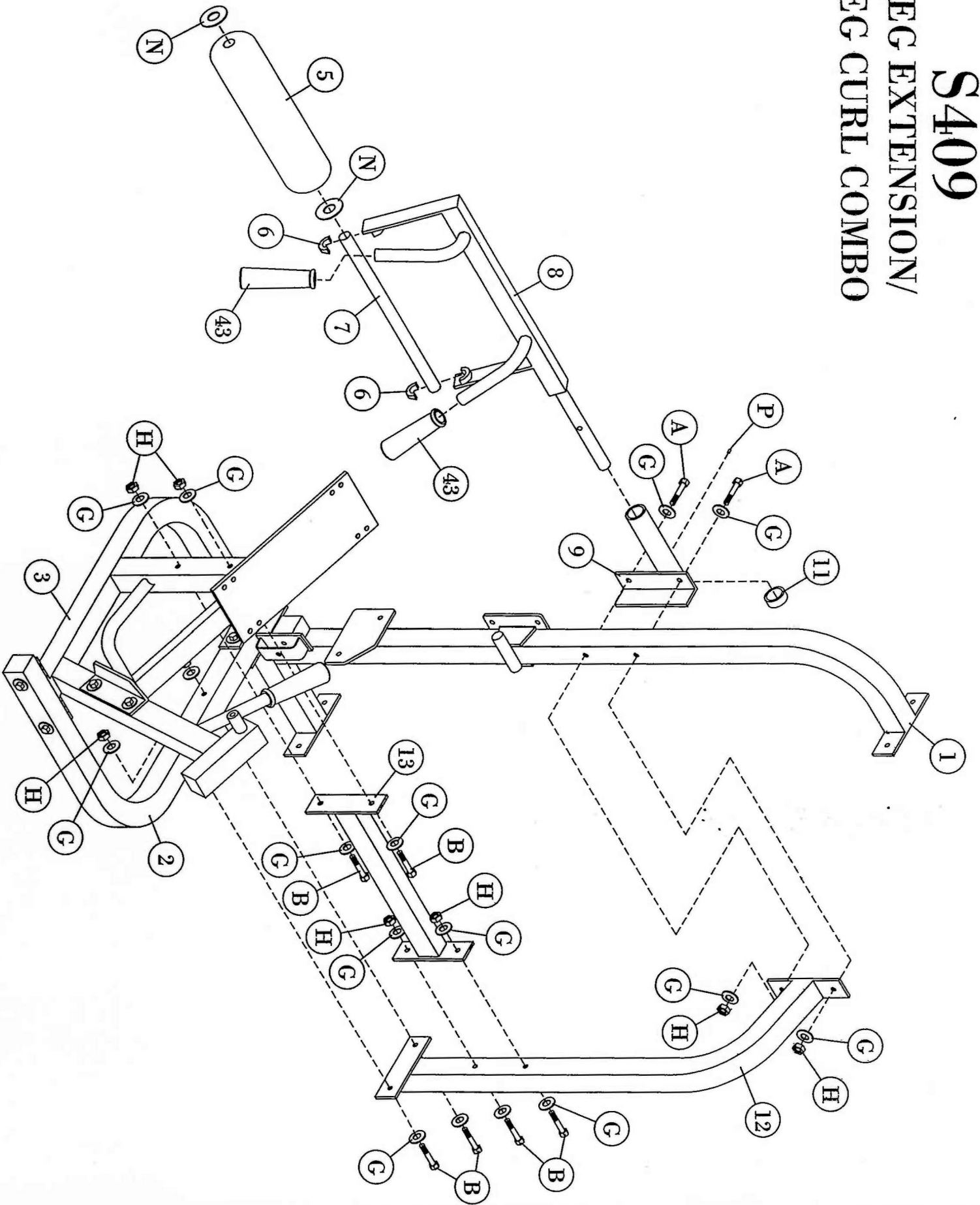
S409

LEG EXTENSION/ LEG CURL COMBO



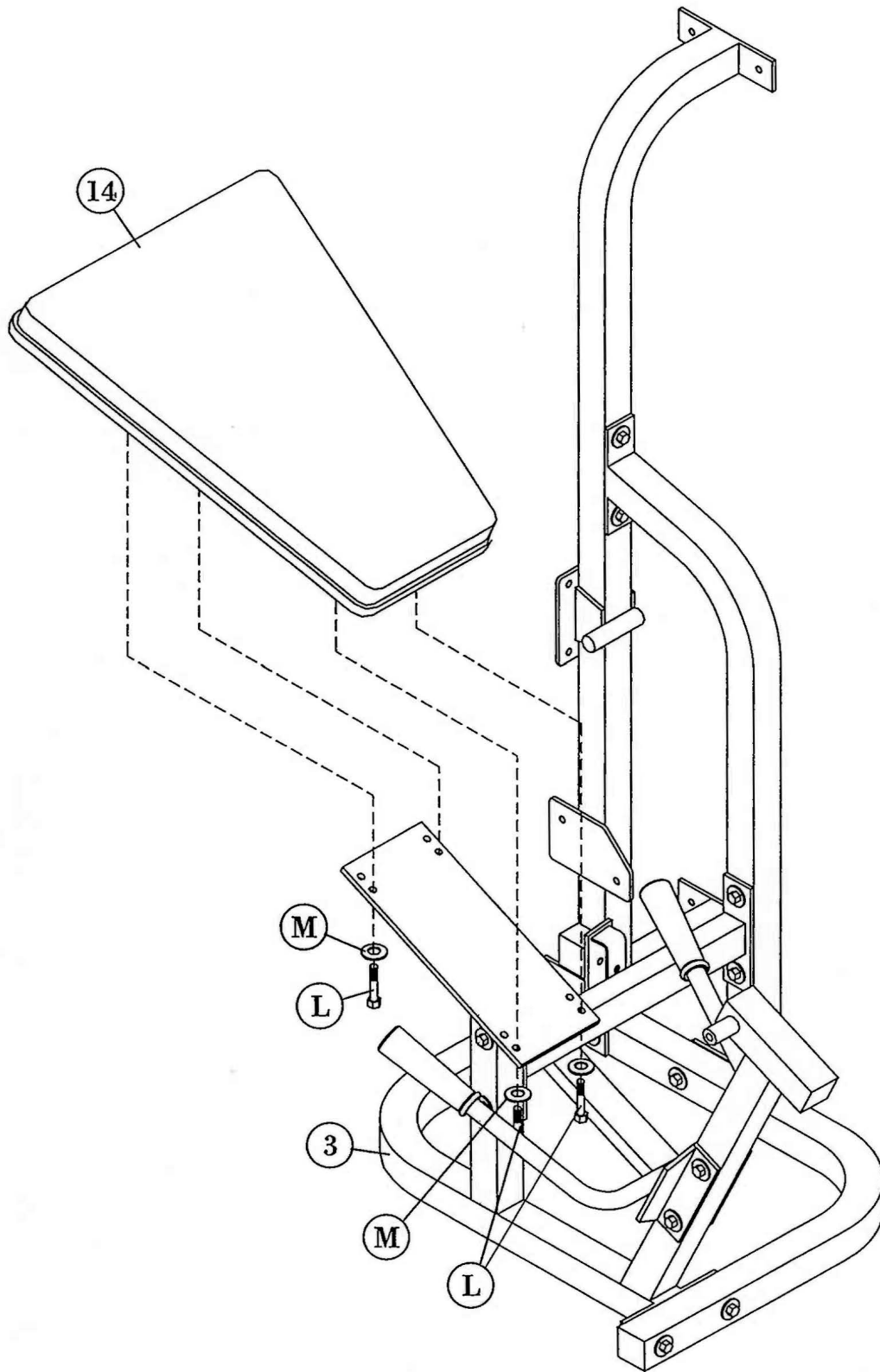
S409

LEG EXTENSION/ LEG CURL COMBO



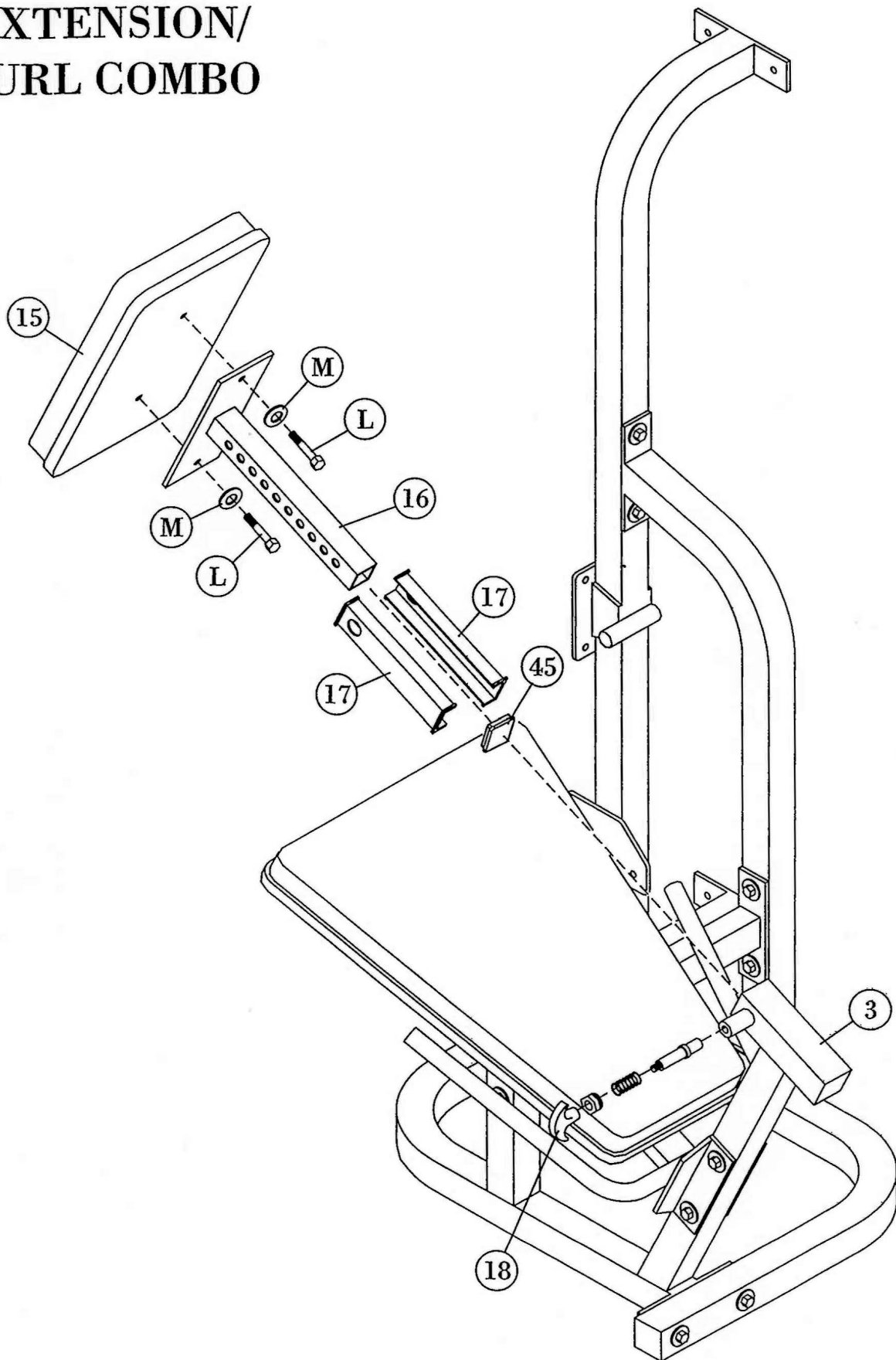
S409

LEG EXTENSION/ LEG CURL COMBO

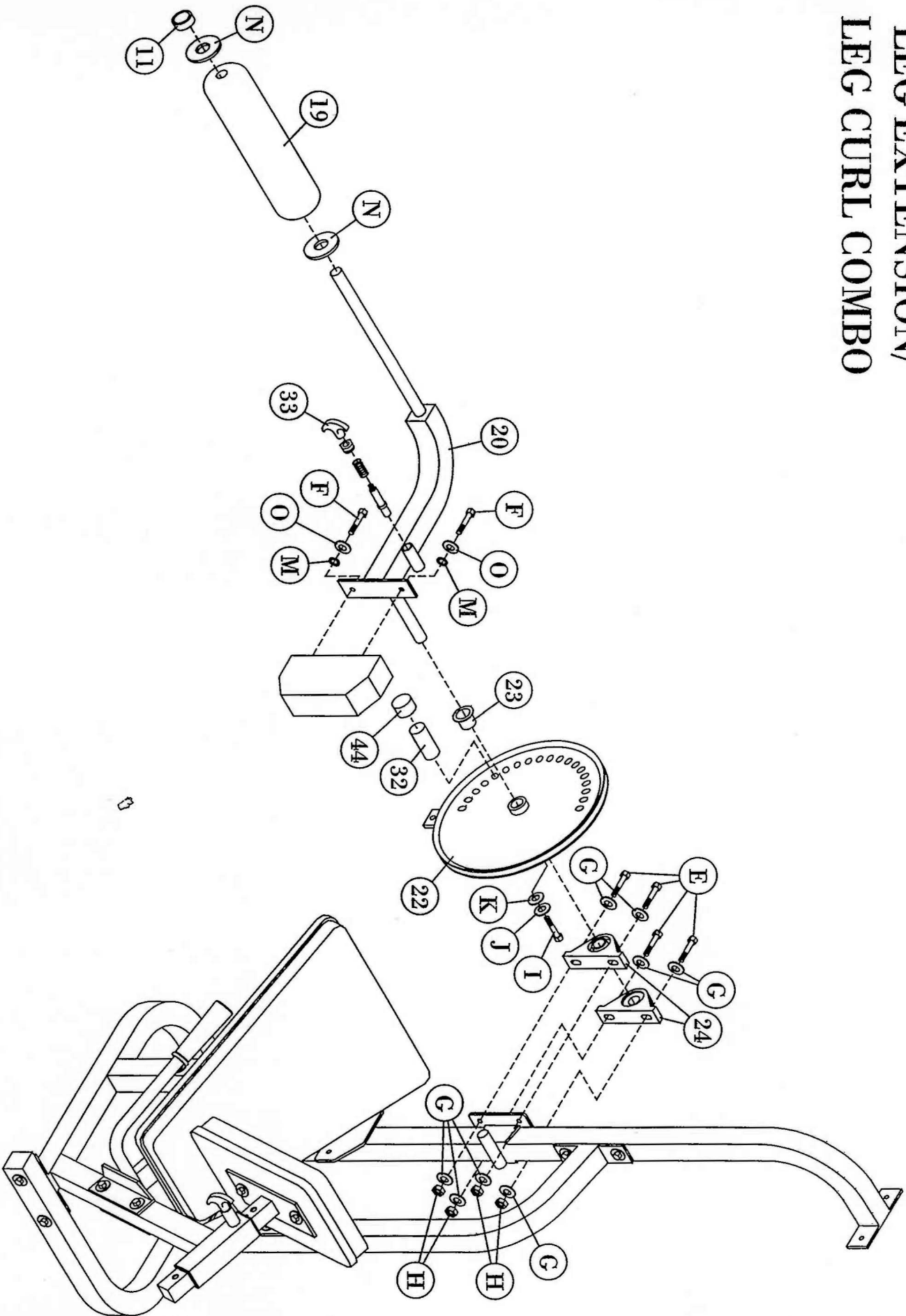


S409

LEG EXTENSION/ LEG CURL COMBO

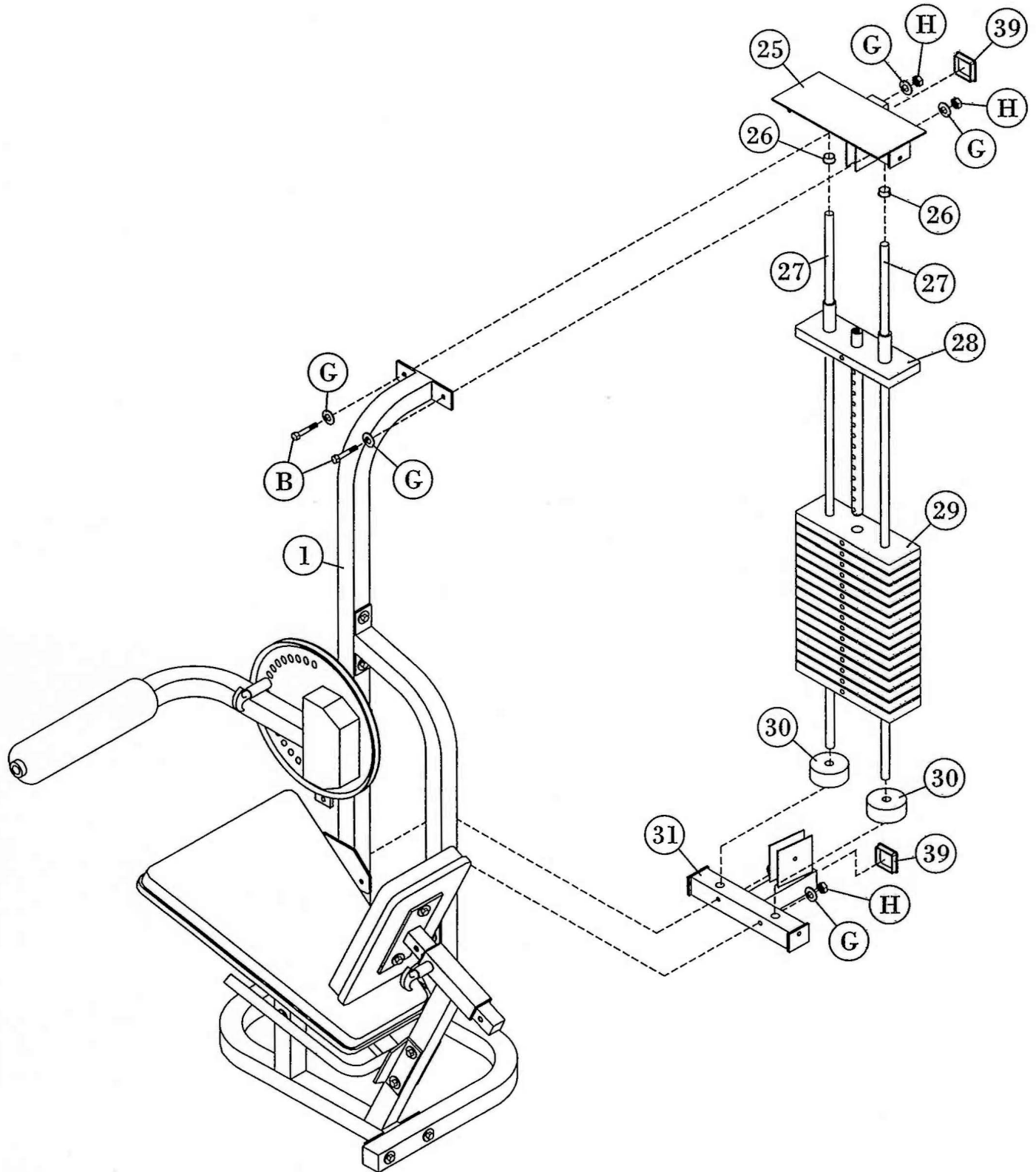


S409 LEG EXTENSION/ LEG CURL COMBO



S409

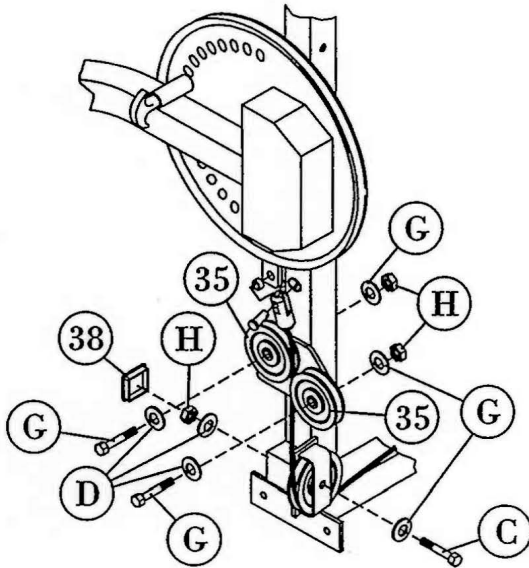
LEG EXTENSION/ LEG CURL COMBO



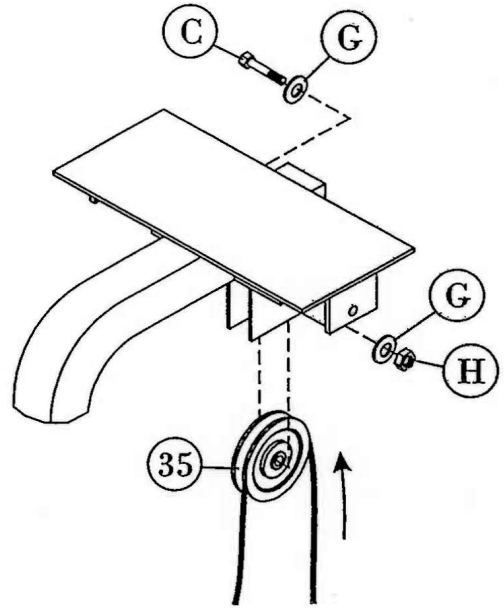
S409

LEG EXTENSION/ LEG CURL COMBO

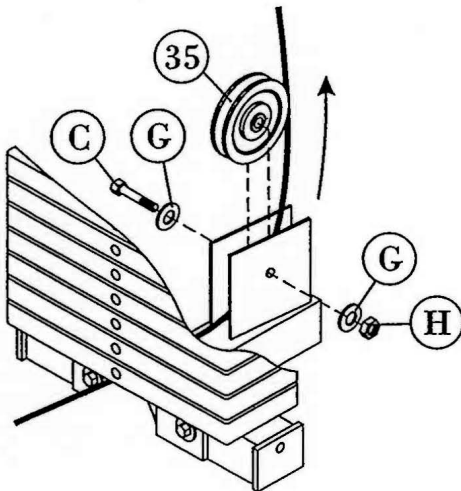
Step 1 Attach Clevis to the Cam then thread the **cable** between pulleys and under a third pulley



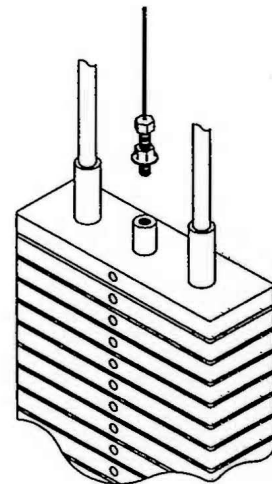
Step 3



Step 2

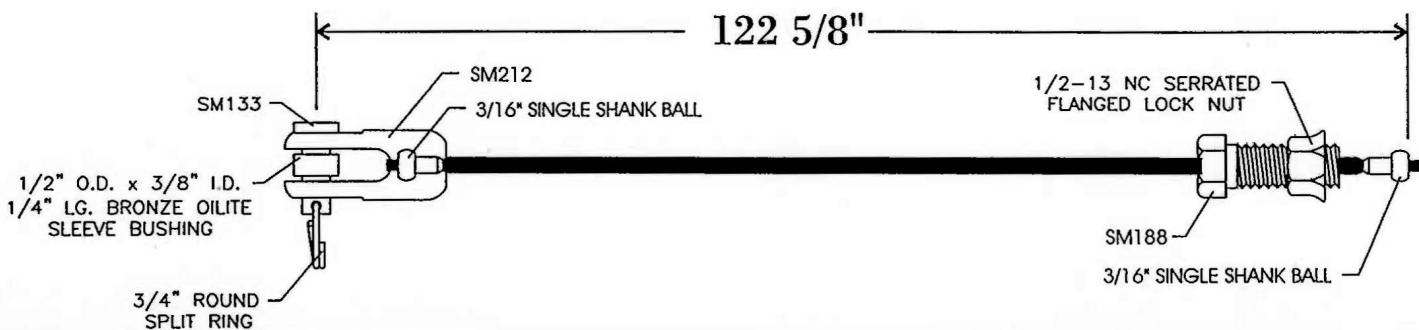
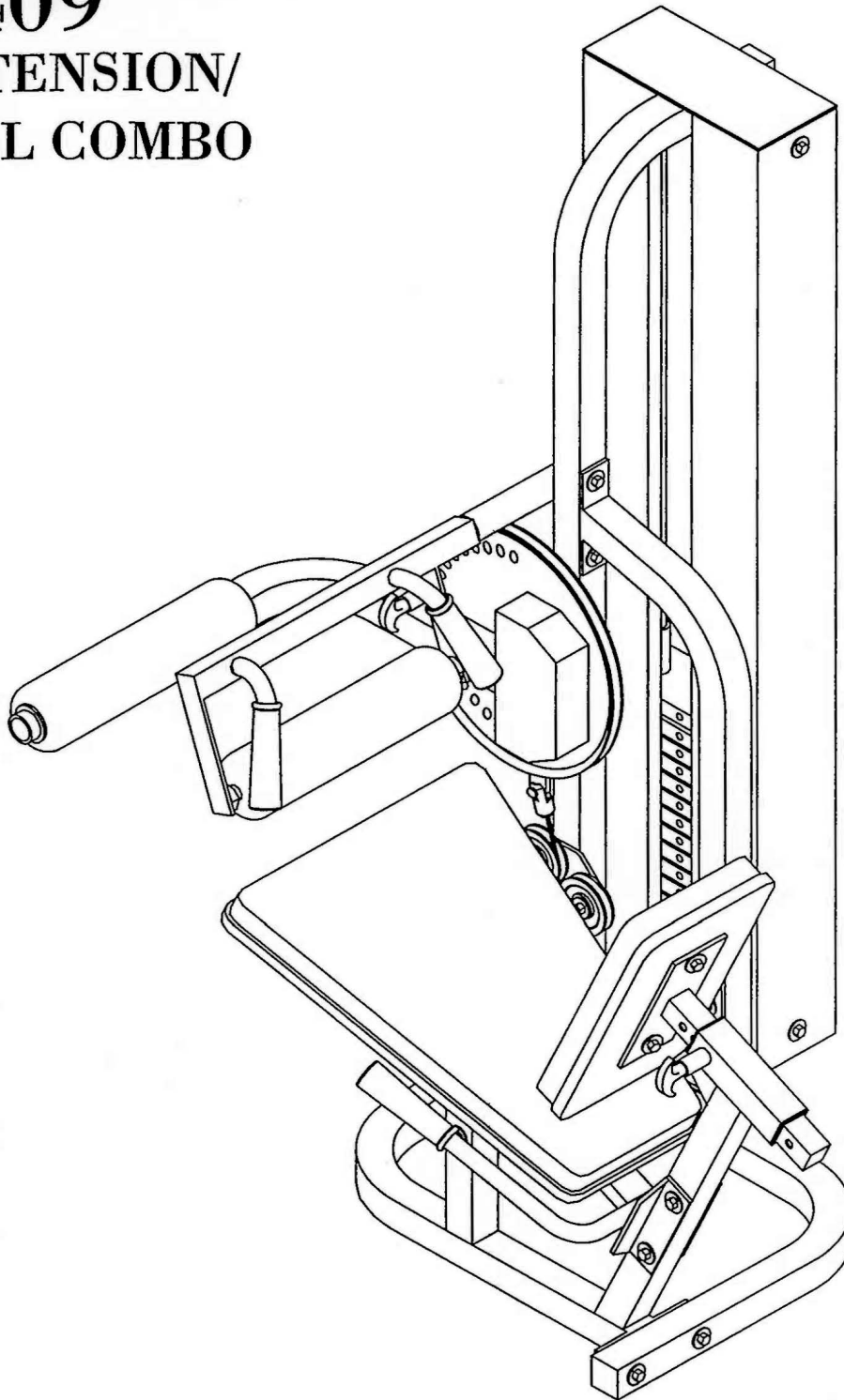


Step 4



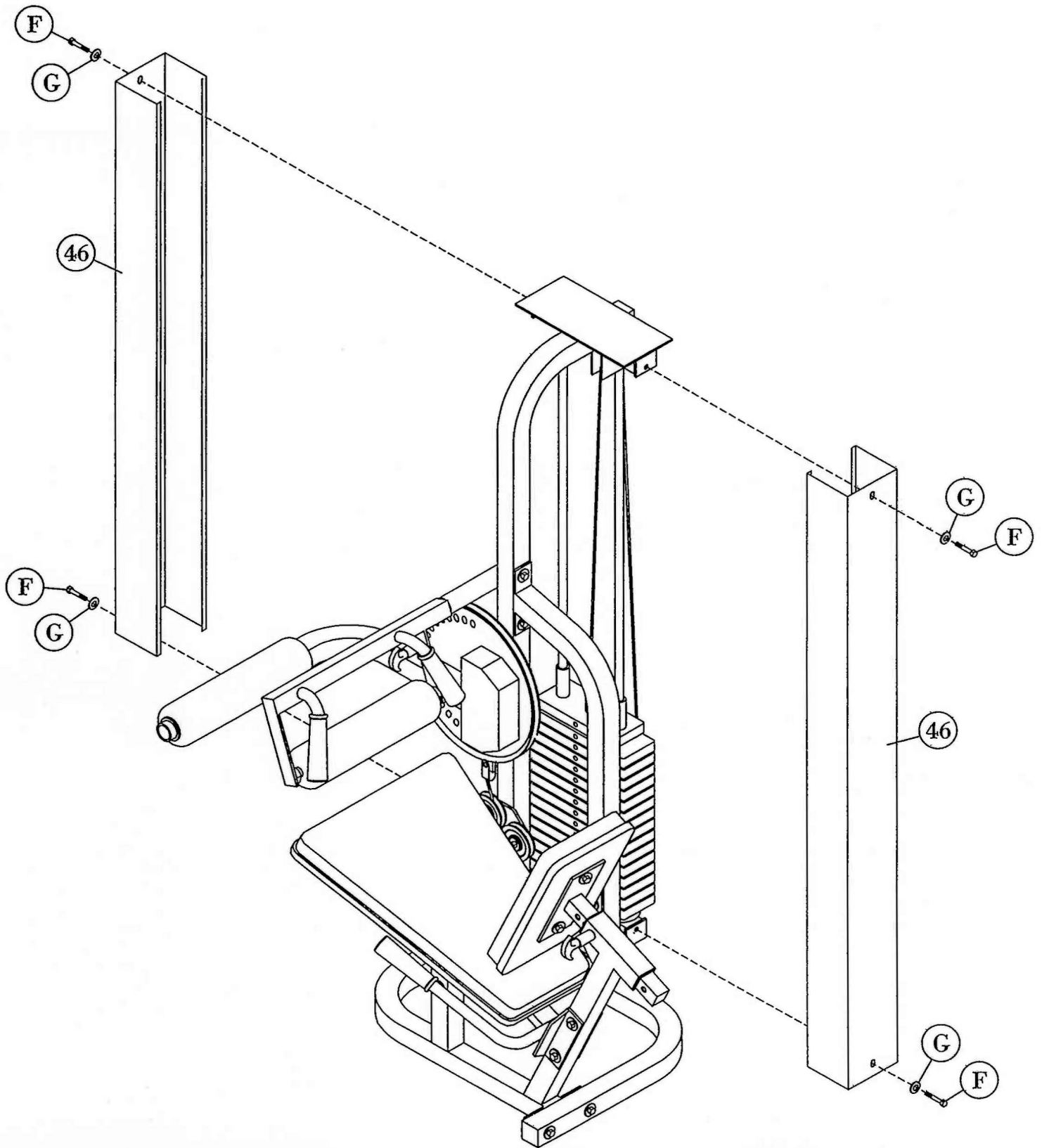
S409

LEG EXTENSION/ LEG CURL COMBO



S409

LEG EXTENSION/ LEG CURL COMBO



S409

PARTS LIST

Key No.	Qty.	Part Number	Description
1	1	61-S401,2,902	Weight Upright
2	1	61-S401,2,901	Bench Assembly
3	1	61-S401,2,908	Base Frame
4	1	61-S40901	Handle Assembly
5	1	17-RLR-16	16" x 2" Radius Thigh Stabilizer Pad
6	2	14-SSC-1	Split Shaft Collar
7	1	61-S402,9	Roller Mount
8	1	61-S40905	Thigh Stabilizer Assembly
9	1	61-S40904	Thigh Pad Assembly Mount
11	2	14-SCC-1	Shaft Collar
12	1	61-S401,2,907	Upright Support
13	1	61-S401,2,903	Crossmember Assembly
14	1	26-STD-SU1925	10" x 19 1/2" x 25" Tapered Seat Pad
15	1	26-STD-SU1017	10" x 17" Back Pad
16	1	61-S401,2,906	Back Pad Mount
17	2	26-STD-PLAS112	EZ Glide Adjuster Sleeve
18	1	26-STD-SM128	1/2" Pull Pin (Short)
19	2	61-S402,9	16" x 2" Radius Leg Pad
20	2	61-S40902	Arm Assembly
21	1	26-STD-SP232	Counter Weight
22	20	61-S40903	Cam Assembly
23	1	14-BRG-NYL1	Nyliner Bushing
24	2	14-BRG-RAD1PILP	Pillow Block Bearings
25	2	61-S401,2,905	Weight Stack Top Assembly
26	1	14-BSH-GRD34	3/4" Guide Rod Snap Bushing
27	2	26-STD-SG107	3/4" Dia. x 59 3/4" Guide Rod
28	1	26-STD-SWTOP1	8 1/2 Lb. Top Weight Plate w/Stem
29	20	26-STD-SW101	12 1/2 Lb. Intermediate Weight Plate
30	2	19-WSB-12	1/2" Rubber Donut
31	1	61-S401,2,904	Weight Base

S409

PARTS LIST

Key No.	Qty.	Part Number	Description
32	1	61-S401,2,9 COMMON	Cam Limiter
33	1	26-STD-SM129	1/2" Pull Pin (Long)
35	4	11-PUL-412	4 1/2" Pulley
36	1	11-PUL-312	3 1/2" Pulley
38	1	16-CAP-1122	1 1/2" x 2" End Cap
39	4	16-CAP-22	2" x 2" End Cap
40	1	16-CAP-12	1" x 2" End Cap
41	2	19-GRP-78COMFORT	Comfort Grip
42	1	19-PLG-1	Plug Bumper
43	2	19-GRP-78514T	Tapered Grip
44	1	16-CAP-GR1	1" Dia. Guide Rod Cap
45	1	16-CAP-112112	1 1/2" x 1 1/2" End Cap
46	2	26-STD-SSH120	59 3/4" Shields

S409

HARDWARE LIST

Key No.	Qty.	Part Number	Description
A	6	11-HEX-383	3/8" x 3" Hex Bolt
B	12	11-HEX-38234	3/8" x 2 3/4" Hex Bolt
C	3	11-HEX-382	3/8" x 2" Hex Bolt
D	2	11-HEX-38134	3/8" x 1 3/4" Hex Bolt
E	4	11-HEX-38112	3/8" x 1 1/2" Hex Bolt
F	6	11-HEX-381	3/8" x 1" Hex Bolt
G	60	13-FLT-38	3/8" USS Flat Washer
H	27	12-LOK-38	3/8" Center Lock Hex Nut
I	1	11-HEX-121	1/2" x 1" Hex Bolt
J	1	12-LOK-12	1/2" Lock Washer
K	1	13-FLT-12	1/2" USS Flat Washer
L	6	11-HEX-516114	5/16" x 1 1/4" Hex Bolt
M	6	13-FLT-516	5/16" USS Flat Washer
N	4	13-FLT-1N	1" Nylon Washer
O	2	12-LOK-38	3/8" Lock Washer
P	1	11-SKT-381	3/8" x 1" Socket Head Cap Screw